



EMPIRE
INDUSTRIES INC.

TUB AND SHOWER DOORS **2016**

SHOWER DOORS

Majestic

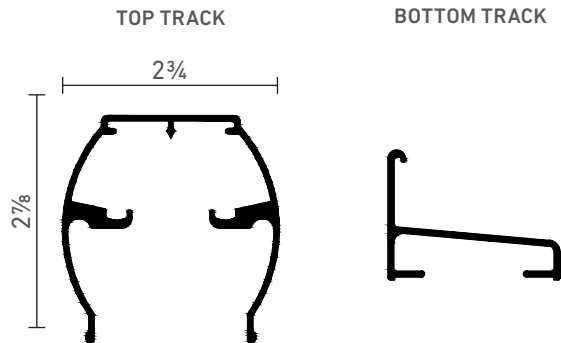
10MM TEMPERED GLASS
SHOWER DOORS & TUB ENCLOSURES

Traditional Shower Door

- Premium 3/8" (10 mm) thick clear tempered safety glass
- Advanced fully frameless by-pass door design
- 2 sliding glass doors with 2 towel bars
- Gracefully rounded top header and track with extra-large rollers for a smooth ride
- High quality anodized aluminum, with a polished chrome finish
- Clear side and door seals keep the shower watertight and prevent leakage
- Bottom track designed for easy cleaning
- Installation adjustability: 1/2"



MODEL NUMBER	FITS WALL OPENING	HEIGHT	DOOR OPENING
TUB ENCLOSURES			
M56TP	52" TO 56"	57 ¹ / ₁₆ "	22 ¹ / ₂ "-26 ¹ / ₂ "
M60TP	56" TO 60"	57 ¹ / ₁₆ "	24 ¹ / ₂ "-28 ¹ / ₂ "
SHOWER ENCLOSURES			
M48SP	44" TO 48"	70 ¹ / ₄ "	18 ¹ / ₂ "-22 ¹ / ₂ "
M56SP	52" TO 56"	70 ¹ / ₄ "	22 ¹ / ₂ "-26 ¹ / ₂ "
M60SP	56" TO 60"	70 ¹ / ₄ "	24 ¹ / ₂ "-28 ¹ / ₂ "

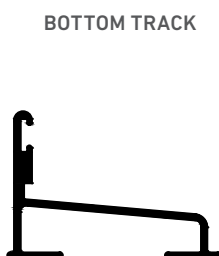
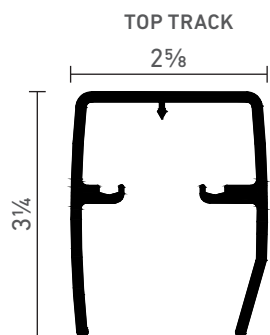
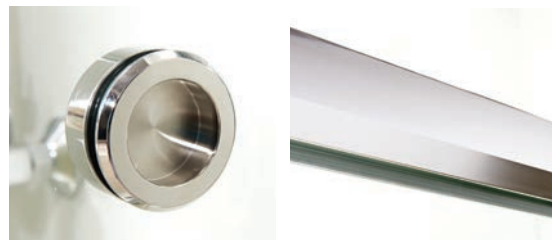


Carlyle

**10MM TEMPERED GLASS
SHOWER DOORS**

Classic Elegance

- Superior 3/8" (10 mm) thick clear tempered glass to ensure durability
- Frameless European design
- 2 sliding glass doors
- Recessed round finger pull for a cleaner look and feel
- Elegantly simple header adds to the modern look
- Superior top track with extra-large rollers for a smooth ride
- High quality anodized aluminum wall profiles and guide rails, with a bright chrome finish
- Clear full height door seals to insure water stays inside
- Clean-free bottom track
- Installation adjustability: 1/2"



MODEL NUMBER	FITS WALL OPENING	HEIGHT	DOOR OPENING
SHOWER ENCLOSURES			
C48SP	44" TO 48"	70 1/4"	18 1/2"-22 1/2"
C60SP	56" TO 60"	70 1/4"	24 1/2"-28 1/2"

Additional sizes to come

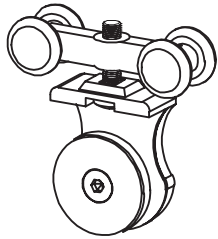
SHOWER DOORS

Elite

10MM TEMPERED GLASS
SHOWER DOORS & TUB ENCLOSURES

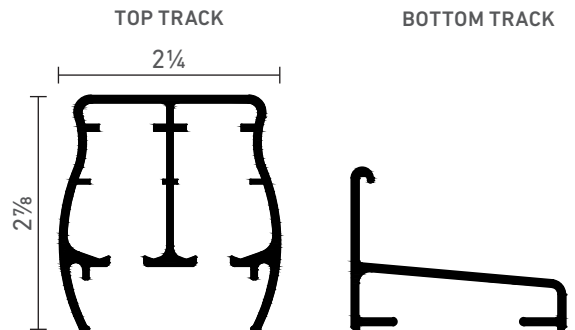
Clean line design

- Premium 3/8" (10 mm) thick clear tempered safety glass
- Fully frameless glass design
- 2 sliding glass doors
- 2 sleek towel bars
- Anodized aluminum with bright chrome finish
- Side door seals keep shower watertight between wall and door
- Bottom track designed for easy cleaning
- Installation adjustability" 1/2"
- Unique track design with exposed top roller make opening and closing doors smooth and effortless*



MODEL NUMBER	FITS WALL OPENING	HEIGHT	DOOR OPENING
TUB ENCLOSURE			
E60TP	56" TO 60"	57 ¹¹ / ₁₆ "	24 ¹ / ₂ "-28 ¹ / ₂ "
SHOWER ENCLOSURE			
E60SP	56" TO 60"	70 ¹ / ₄ "	24 ¹ / ₂ "-28 ¹ / ₂ "

Additional sizes to come



Supreme

10MM TEMPERED GLASS
SHOWER DOORS

Sophisticated frameless design

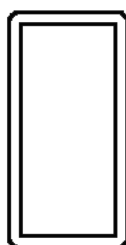
- Impressive 3/8" (10 mm) thick tempered safety glass
- Fully frameless doors
- One stationary and one sliding door
- Reversible for right or left door opening installation
- Door handle and towel bar in bright chrome finish
- Full length clear seal to prevent leakage
- Clean-free bottom track
- Installation adjustability: 1/8"



TOP TRACK



BOTTOM BAR



MODEL NUMBER	FITS WALL OPENING	HEIGHT	DOOR OPENING
SHOWER ENCLOSURES			
S48SP	44" TO 48"	70 1/4"	17 1/4"-21 1/4"
S60SP	56" TO 60"	70 1/4"	23 1/4"-27 1/4"

Additional sizes to come

SHOWER DOORS

Ritz

**10MM TEMPERED GLASS
SHOWER DOORS**

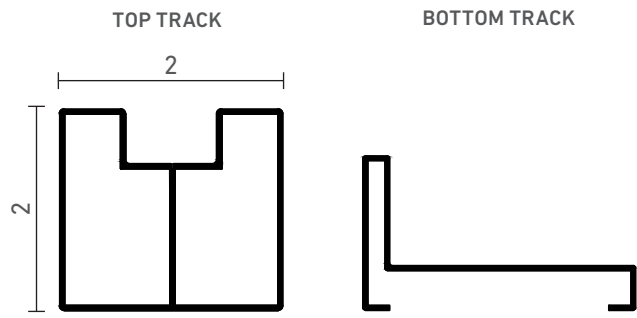
Strikingly innovative open track design

- Superior 3/8" (10 mm) clear tempered safety glass to ensure durability
- 2 fully frameless European designed doors
- 2 sleek towel bars
- High quality anodized aluminum in polished chrome finish
- Open bottom track designed for easy cleaning
- Installation adjustability: 1/2"



MODEL NUMBER	FITS WALL OPENING	HEIGHT	DOOR OPENING
SHOWER ENCLOSURE			
R60SP	56" TO 60"	70 1/4"	24 1/2"-28 1/2"

Additional sizes to come





CornerRadius

6MM TEMPERED GLASS
CORNER SHOWER ENCLOSURES

Space saving corner installation

- 1/4" (6 mm) clear tempered safety glass
- 2 center sliding doors
- Easy slide for quiet access
- Handles and trim in high quality anodized aluminum in bright chrome finish
- Shower trays sold separately
- 2 models: Immerse (Round) and Splash (Square)

IMMERSE Round Enclosure

- Semi-arc design with beautifully curved tempered glass



MODEL NUMBER	HEIGHT	DOOR OPENING
SHOWER ENCLOSURES		
IM36	75"	21"



SPLASH Square Enclosure

- Clean, contemporary square design



MODEL NUMBER	HEIGHT	DOOR OPENING
SHOWER ENCLOSURES		
SP36	75"	19"

SHOWER DOORS

Trays

HIGH QUALITY ACRYLIC WITH FIBERGLASS REINFORCEMENT

- 36" wide shower receptors
- Anti-slip textured floor for maximum safety
- Non-porous surface resists scratches and stains, and provides fast and effective cleaning
- Integral flange for easy installation and waterproofing

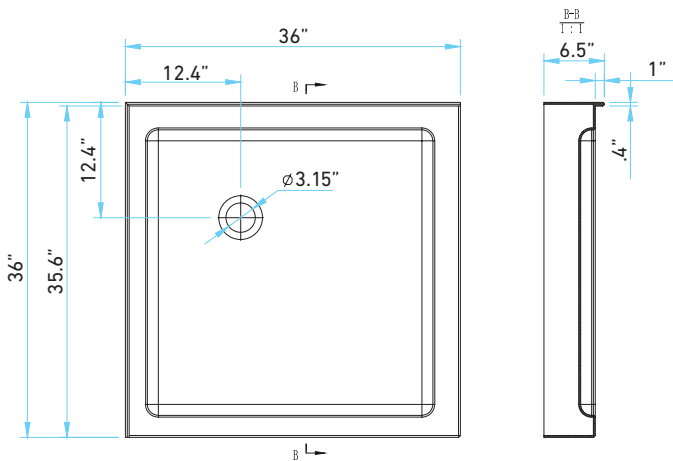


SHOWN WITH SP36-SQUARE SHOWER ENCLOSURE

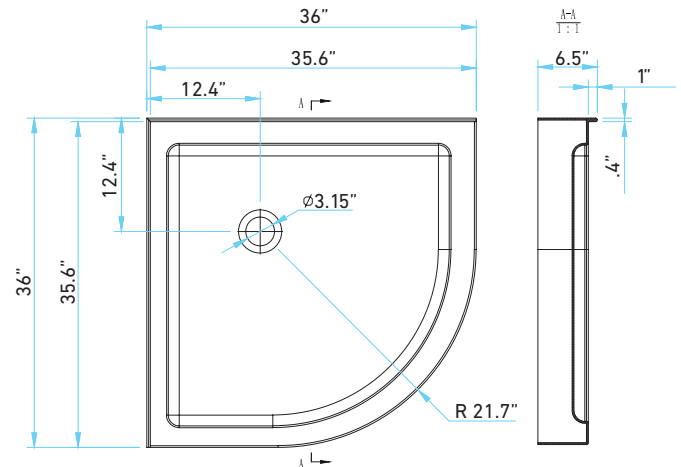


SHOWN WITH IM36-ROUND SHOWER ENCLOSURE

SPT36-Square Shower Tray for Splash Shower Enclosure



IMT36-Round Shower Tray for Immerse Shower Enclosure



EMPIRE
INDUSTRIES INC.

40 Warren Street, Paterson NJ, 07524 USA
TEL: (973) 279-2050 • (800) 631-0223
FAX: (973) 279-8987 • (800) 367-4738
EMPIRE-INDUSTRIES.COM