



# PREMIUM QUALITY KITCHEN SINKS PRICE LIST

**Effective April, 2015**

This price list supersedes all previous price lists.



[www.empire-industries.com](http://www.empire-industries.com)  
[info@empire-industries.com](mailto:info@empire-industries.com)

# TABLE OF CONTENTS

---

<b>OLDE LONDON (FIRE CLAY)</b>	
FIRE CLAY FARMHOUSE SINKS .....	3
<b>18 GAUGE – SINGLE BOWL</b>	
UNDERMOUNT SINKS .....	4-5
<b>18 GAUGE – ZERO RADIUS</b>	
HANDMADE UNDERMOUNT SINKS .....	5
<b>ATLAS</b>	
18 GAUGE UNDERMOUNT SINKS .....	6
<b>16 GAUGE – SINGLE BOWL</b>	
UNDERMOUNT SINKS .....	7
<b>16 GAUGE – DOUBLE BOWL</b>	
UNDERMOUNT SINKS .....	8-9
<b>EVEREST ZERO RADIUS</b>	
16 GAUGE UNDERMOUNT SINKS .....	10
<b>16 GAUGE – 10MM RADIUS</b>	
UNDERMOUNT SINKS .....	11
<b>LOFT SINKS – 16 GAUGE</b> .....	12
<b>EXTRA LARGE LOFT SINKS – 16 GAUGE</b> .....	12
<b>FARM SINKS 16 GAUGE</b> .....	13
<b>BAR SINKS – 16 &amp; 18 GAUGE</b> .....	14



CUSTOMER SERVICE

TEL: 1-800-631-0223 · FAX: 1-800-367-4738

PATERSON, NEW JERSEY 07524 · [WWW.EMPIRE-INDUSTRIES.COM](http://WWW.EMPIRE-INDUSTRIES.COM)



	<i>Code</i>	<i>Description</i>	<i>List Price</i>			
	<b>OL24</b>	<b>24" Reversible Farmhouse Sink</b>	<b>\$895.00</b>			
		Decorative front apron on one side (as shown on left), and smooth apron on the opposite side.				
		<table border="0"> <tr> <td><b>Overall Dimensions:</b></td> <td><b>Inside Bowl Dimensions</b></td> </tr> <tr> <td>24" x 18" x 10"</td> <td>22" x 16" x 9"</td> </tr> </table>	<b>Overall Dimensions:</b>	<b>Inside Bowl Dimensions</b>	24" x 18" x 10"	22" x 16" x 9"
<b>Overall Dimensions:</b>	<b>Inside Bowl Dimensions</b>					
24" x 18" x 10"	22" x 16" x 9"					
<i>Grid for OL24:</i>						
	<b>GOL24</b>		<b>\$96.00</b>			

---

	<b>OL30</b>	<b>30" Reversible Farmhouse Sink</b>	<b>\$1,095.00</b>			
		Decorative front apron on one side (as shown on left), and smooth apron on the opposite side.				
		<table border="0"> <tr> <td><b>Overall Dimensions:</b></td> <td><b>Inside Bowl Dimensions</b></td> </tr> <tr> <td>30" x 18" x 10"</td> <td>28" x 16" x 9"</td> </tr> </table>	<b>Overall Dimensions:</b>	<b>Inside Bowl Dimensions</b>	30" x 18" x 10"	28" x 16" x 9"
<b>Overall Dimensions:</b>	<b>Inside Bowl Dimensions</b>					
30" x 18" x 10"	28" x 16" x 9"					
<i>Grid for OL30:</i>						
	<b>GOL30</b>		<b>\$108.00</b>			

All sinks have 3 1/2" center drain hole.

Due to ±2% dimensions, it is recommended that the cabinet maker wait until your sink is delivered to make the cabinet. No template available. **Empire will not be responsible for any incorrect cut-outs.**

# 18 GAUGE – SINGLE BOWL

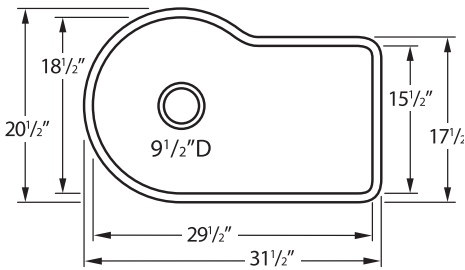
## UNDERMOUNT SINKS

	<b>Code</b>	<b>Description</b>	<b>List Price</b>
	<b>S-1</b>	<b>18 Gauge Single D Sink</b>	<b>\$250.00</b>
	<b>Grid &amp; Strainer:</b>		
		<b>G1</b>	<b>\$114.00</b>
		<b>ST-1</b>	<b>\$26.50</b>
	<i>This model will fit into a 27" cabinet or wider.</i>		
	<b>S-2</b>	<b>18 Gauge Single Rectangle Sink (8" Deep)</b>	<b>\$240.00</b>
	<b>Grid &amp; Strainer:</b>		
		<b>G1</b>	<b>\$114.00</b>
		<b>ST-1</b>	<b>\$26.50</b>
	<i>This model will fit into a 27" cabinet or wider.</i>		
	<b>S-3</b>	<b>18 Gauge Single Rectangle Sink (9" Deep)</b>	<b>\$250.00</b>
	<b>Grid &amp; Strainer:</b>		
		<b>G2</b>	<b>\$114.00</b>
		<b>ST-1</b>	<b>\$26.50</b>
	<i>This model will fit into a 27" cabinet or wider.</i>		
	<b>S-16</b>	<b>18 Gauge Large Single Rectangular Sink</b>	<b>\$520.00</b>
	<b>Grid &amp; Strainer:</b>		
		<b>G16</b>	<b>\$160.00</b>
		<b>ST-1</b>	<b>\$26.50</b>
	<i>This model will fit into a 30" cabinet or wider.</i>		
	<b>S-17</b>	<b>18 Gauge Large Hexagonal Sink</b>	<b>\$595.00</b>
	<b>Grid &amp; Strainer:</b>		
		<b>G17</b>	<b>\$182.00</b>
		<b>ST-1</b>	<b>\$26.50</b>
	<i>This model will fit into a 33" cabinet or wider.</i>		

18 GAUGE – SINGLE BOWL

# 18 GAUGE – SINGLE BOWL

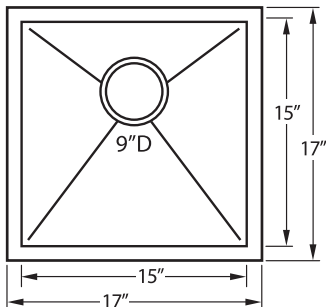
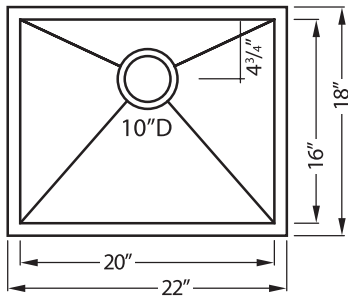
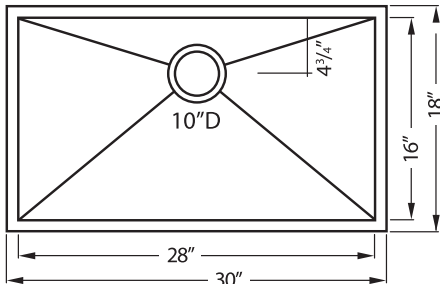
## UNDERMOUNT SINKS

	Code	Description	List Price
	<b>S-18</b>	<b>18 Gauge Large Key Hole Sink</b>	<b>\$595.00</b>
	<b>Grid &amp; Strainer:</b>		
	<b>G18</b>		<b>\$82.00</b>
	<b>ST-1</b>		<b>\$26.50</b>
<p><i>This model will fit into a 33" cabinet or wider.</i></p>			

# 18 GAUGE – ZERO RADIUS

## UNDERMOUNT SINKS



	Code	Description	List Price
	<b>GS1717</b>	<b>17×17 18 Gauge Zero Radius Sink</b>	<b>\$369.00</b>
	<b>Grid &amp; Strainer: FREE with Purchase (included in the box)</b>		
<p><i>This model will fit into a 21" cabinet or wider.</i></p>			
	<b>GS2218</b>	<b>22×18 18 Gauge Zero Radius Sink</b>	<b>\$419.00</b>
	<b>Grid &amp; Strainer: FREE with Purchase (included in the box)</b>		
<p><i>This model will fit into a 24" cabinet or wider.</i></p>			
	<b>GS3018</b>	<b>30×18 18 Gauge Zero Radius Sink</b>	<b>\$499.00</b>
	<b>Grid &amp; Strainer: FREE with Purchase (included in the box)</b>		
<p><i>This model will fit into a 33" cabinet or wider.</i></p>			

*Template is provided with each sink. However, we recommend fabricator to check for accuracy.*

# 18 GAUGE - ATLAS

## UNDERMOUNT SINKS

	Code	Description	List Price
<b>SINGLE</b>			
	<b>A-1C</b>	<b>18 Gauge Atlas D-Shape Single Sink</b>	<b>\$312.00</b>
		<i>Grid &amp; Strainer: FREE with Purchase</i>	
		<i>This model will fit into a 27" cabinet or wider.</i>	
<hr/>			
	<b>A-14C</b>	<b>18 Gauge Single Large Sink</b>	<b>\$657.00</b>
		<i>Grid &amp; Strainer: FREE with Purchase</i>	
		<i>This model will fit into a 33" cabinet or wider.</i>	
<hr/>			
<b>DOUBLE</b>			
	<b>A-9C</b>	<b>18 Gauge Double Sink</b>	<b>\$610.00</b>
		<i>Grid &amp; Strainer: FREE with Purchase</i>	
		<i>This model will fit into a 33" cabinet or wider.</i>	
<hr/>			
	<b>A-15LC</b>	<b>18 Gauge Double Sink - Large Bowl on Left</b>	<b>\$657.00</b>
		<i>Grids &amp; Strainers: FREE with Purchase</i>	
		<i>This model will fit into a 36" cabinet or wider.</i>	
<hr/>			
	<b>A-15RC</b>	<b>18 Gauge Double Sink - Large Bowl on Right</b>	<b>\$657.00</b>
		<i>Grids &amp; Strainers: FREE with Purchase</i>	
		<i>The above sink will fit into a 36" cabinet or wider.</i>	

*Template is provided with each sink. However, we recommend fabricator to check for accuracy.*

# 16 GAUGE – SINGLE BOWL

## UNDERMOUNT SINKS

	<b>Code</b>	<b>Description</b>	<b>List Price</b>
	<b>SP-1</b>	<b>16 Gauge Single D Sink</b>	<b>\$290.00</b>
	<b>Grid &amp; Strainer:</b>		
		<b>G1</b>	<b>\$114.00</b>
		<b>ST-1</b>	<b>\$26.50</b>
<i>This model will fit into a 27" cabinet or wider.</i>			
	<b>SP-2</b>	<b>16 Gauge Single Rectangle Sink (8" Deep)</b>	<b>\$275.00</b>
	<b>Grid &amp; Strainer:</b>		
		<b>G2</b>	<b>\$114.00</b>
		<b>ST-1</b>	<b>\$26.50</b>
<i>This model will fit into a 27" cabinet or wider.</i>			
	<b>SP-3</b>	<b>16 Gauge Single Rectangle Sink (9" Deep)</b>	<b>\$290.00</b>
	<b>Grid &amp; Strainer:</b>		
		<b>G2</b>	<b>\$114.00</b>
		<b>ST-1</b>	<b>\$26.50</b>
<i>This model will fit into a 27" cabinet or wider.</i>			
	<b>SP-14</b>	<b>16 Gauge Large Single Rectangular Sink</b>	<b>\$595.00</b>
	<b>Grid &amp; Strainer:</b>		
		<b>G14</b>	<b>\$182.00</b>
		<b>ST-1</b>	<b>\$26.50</b>
<i>This model will fit into a 36" cabinet or wider.</i>			
	<b>SP-19C</b>	<b>16 Gauge Large Single Sink</b>	<b>\$695.00</b>
	<b>Grid &amp; Strainer: FREE with Purchase</b>		
<i>This model will fit into a 36" cabinet or wider.</i>			

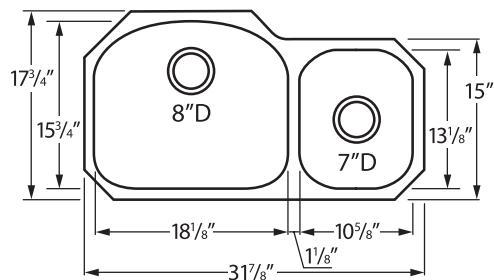
16 GAUGE – SINGLE BOWL

*Sinks are fully undercoated with foam insulation over large sound-deadening pads for ultimate noise reduction and insulation.*

# 16 GAUGE – DOUBLE BOWL

## UNDERMOUNT SINKS

Code	Description	List Price
SP-4	16 Gauge Double Sink	\$410.00

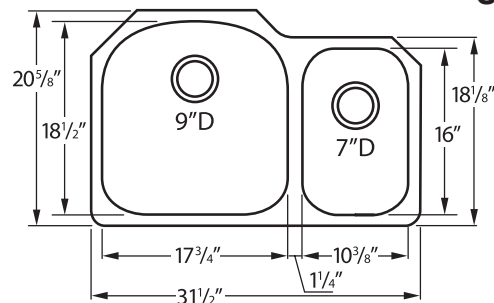


### Grids & Strainers:

G4B	\$103.00
G4S	\$86.00
ST-1	\$26.50

This model will fit into a 36" cabinet or wider.

SP-5	16 Gauge Double Sink	\$455.00
------	----------------------	----------

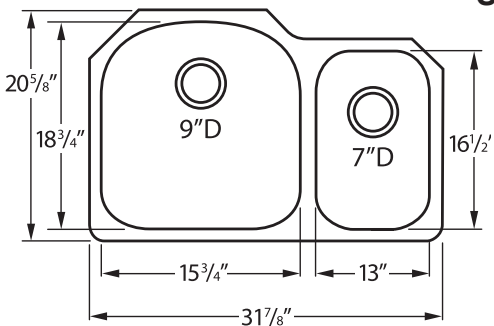


### Grids & Strainers:

G5B	\$103.00
G5S	\$86.00
ST-1	\$26.50

This model will fit into a 36" cabinet or wider.

SP-6	16 Gauge Double Sink	\$480.00
------	----------------------	----------

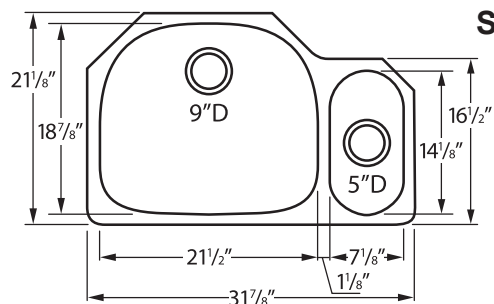


### Grids & Strainers:

G6B	\$102.00
G6S	\$86.00
ST-1	\$26.50

This model will fit into a 36" cabinet or wider.

SP-7	16 Gauge Double Sink	\$480.00
------	----------------------	----------



### Grid & Strainers:

G1	\$114.00
ST-1	\$26.50

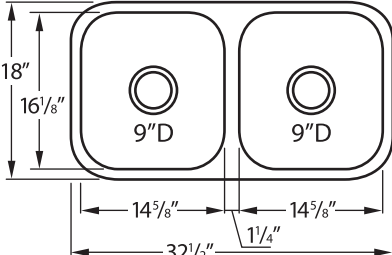
This model will fit into a 36" cabinet or wider.

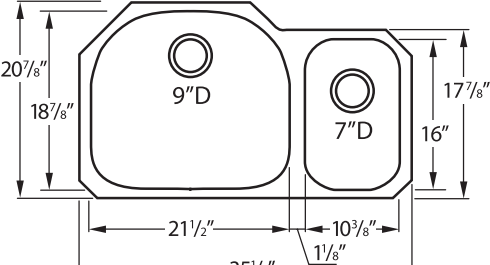
Template is provided with each sink. However, we recommend fabricator to check for accuracy.

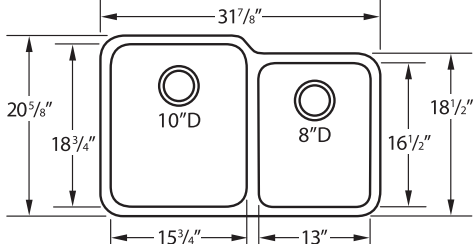


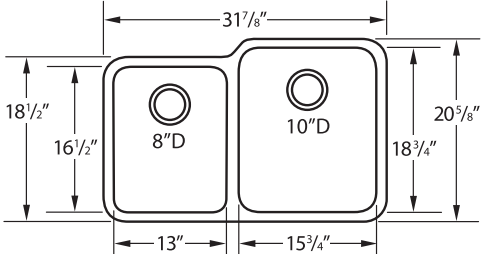
# 16 GAUGE – DOUBLE BOWL

## UNDERMOUNT SINKS

	<b>Code</b>	<b>Description</b>	<b>List Price</b>
	<b>SP-9</b>	<b>16 Gauge Double Sink</b>	<b>\$530.00</b>
	<b>Grids &amp; Strainers:</b>		
	<b>G9</b>		<b>\$103.00</b>
	<b>ST-1</b>		<b>\$26.50</b>
<p><i>This model will fit into a 36" cabinet or wider.</i></p>			

	<b>SP-11</b>	<b>16 Gauge Double Sink</b>	<b>\$580.00</b>
	<b>Grids &amp; Strainers:</b>		
	<b>G1</b>		<b>\$114.00</b>
	<b>G5S</b>		<b>\$86.00</b>
	<b>ST-1</b>		<b>\$26.50</b>
<p><i>This model will fit into a 39" cabinet or wider.</i></p>			

	<b>SP-15L</b>	<b>16 Gauge Double Sink – Large Bowl on Left</b>	<b>\$545.00</b>
	<b>Grids &amp; Strainers:</b>		
	<b>G15B</b>		<b>\$97.00</b>
	<b>G15S</b>		<b>\$80.00</b>
	<b>ST-1</b>		<b>\$26.50</b>
<p><i>This model will fit into a 36" cabinet or wider.</i></p>			

	<b>SP-15R</b>	<b>16 Gauge Double Sink – Large Bowl on Right</b>	<b>\$545.00</b>
	<b>Grids &amp; Strainers:</b>		
	<b>G15B</b>		<b>\$97.00</b>
	<b>G15S</b>		<b>\$80.00</b>
	<b>ST-1</b>		<b>\$26.50</b>
<p><i>This model will fit into a 36" cabinet or wider.</i></p>			

*Sinks are fully undercoated with foam insulation over large sound-deadening pads for ultimate noise reduction and insulation.*

# 16 GAUGE - EVEREST ZERO RADIUS

## UNDERMOUNT SINKS

EVEREST ZERO RADIUS

10

	Code	Description	List Price
	ES2218	16 Gauge 22 x 18 Single Sink, Zero Radius, Commercial Grade	\$770.00
		<i>Grid &amp; Strainer:</i>	
		G22	\$118.00
		ST-1	\$26.50
		<i>This model will fit into a 24" cabinet or wider.</i>	
	ES3018	16 Gauge 30 x 18 Single Sink, Zero Radius, Commercial Grade	\$925.00
		<i>Grid &amp; Strainer:</i>	
		G30	\$129.00
		ST-1	\$26.50
		<i>This model will fit into a 33" cabinet or wider.</i>	
	ES3219	16 Gauge 32 x 19 Single Sink, Zero Radius, Commercial Grade	\$955.00
		<i>Grid &amp; Strainer:</i>	
		G32	\$137.00
		ST-1	\$26.50
		<i>This model will fit into a 36" cabinet or wider.</i>	
	ED3320	16 Gauge 33 x 20 Double Sink, Zero Radius, Commercial Grade	\$1,275.00
		<i>Grids &amp; Strainers:</i>	
		G33B	\$118.00
		G33S	\$103.00
		ST-1	\$26.50
		<i>This model will fit into a 36" cabinet or wider.</i>	
	ED3720	16 Gauge 37 x 20 Double Sink, Zero Radius, Commercial Grade	\$1,455.00
		<i>Grids &amp; Strainers:</i>	
		G33B	\$118.00
		ST-1	\$26.50
		<i>This model will fit into a 36" cabinet or wider.</i>	

Template is provided with each sink. However, we recommend fabricator to check for accuracy.

# 16 GAUGE – 10MM RADIUS

## UNDERMOUNT SINKS



	<b>Code</b>	<b>Description</b>	<b>List Price</b>
	<b>RS1717CC</b>	<b>16 Gauge 10mm R. 17 x 17 Single Sink</b>	<b>\$798.00</b>
		<u><b>Grid &amp; Strainer: FREE with Purchase</b> (included in the box)</u>	
		<i>This model will fit into a 19" cabinet or wider.</i>	
	<b>RS2218CC</b>	<b>16 Gauge 10mm R. 22 x 18 Single Sink</b>	<b>\$1,059.00</b>
		<u><b>Grid &amp; Strainer: FREE with Purchase</b> (included in the box)</u>	
		<i>This model will fit into a 24" cabinet or wider.</i>	
	<b>RS3219CC</b>	<b>16 Gauge 10mm R. 32 x 19 Single Sink</b>	<b>\$1,349.00</b>
		<u><b>Grid &amp; Strainer: FREE with Purchase</b> (included in the box)</u>	
		<i>This model will fit into a 36" cabinet or wider.</i>	
	<b>RD3319CC</b>	<b>16 Gauge 10mm R. 33 x 19 Double Sink</b>	<b>\$1,475.00</b>
		<u><b>Grids &amp; Strainers: FREE with Purchase</b> (included in the box)</u>	
		<i>This model will fit into a 36" cabinet or wider.</i>	

16 GAUGE – 10MM RADIUS

*Template is provided with each sink. However, we recommend fabricator to check for accuracy.*

# LOFT SINKS

16 GAUGE



	Code	Description	List Price
	LF30	16 Gauge 30 x 17.5 Farmhouse Sink	\$1,225.00
		<i>Grid &amp; Strainer: FREE with Purchase (included in the box)</i>	
	LF33	16 Gauge 33 x 17.5 Farmhouse Sink	\$1,280.00
		<i>Grid &amp; Strainer: FREE with Purchase (included in the box)</i>	
	LX30CC	16 Gauge Single 30 x 20.5 <b>Extra Large</b> Farmhouse Sink	\$1,325.00
		<b>NEW!</b> <i>Grid &amp; Strainer: FREE with Purchase (included in the box)</i>	
	LX33CC	16 Gauge Single 33 x 20.5 <b>Extra Large</b> Farmhouse Sink	\$1,400.00
		<b>NEW!</b> <i>Grid &amp; Strainer: FREE with Purchase (included in the box)</i>	
	LX36CC	16 Gauge Single 36 x 20.5 <b>Extra Large</b> Farmhouse Sink	\$1,520.00
		<b>NEW!</b> <i>Grid &amp; Strainer: FREE with Purchase (included in the box)</i>	

LOFT SINKS

*Sinks are fully undercoated with foam insulation over large sound-deadening pads for ultimate noise reduction and insulation.*

# FARM SINKS

16 GAUGE

	<b>Code</b>	<b>Description</b>	<b>List Price</b>
	<b>F30S</b>	<b>16 Gauge Small Single Farmhouse Sink</b>	<b>\$1,600.00</b>
	<b>Grid &amp; Strainer:</b>		
		<b>GF30</b>	<b>\$137.00</b>
		<b>ST-1</b>	<b>\$26.50</b>
	<b>F36S</b>	<b>16 Gauge Large Single Farmhouse Sink</b>	<b>\$1,920.00</b>
	<b>Strainer:</b>		
		<b>ST-1</b>	<b>\$26.50</b>
	<b>F42D</b>	<b>16 Gauge Large Double Bowl Farmhouse Sink</b>	<b>\$2,655.00</b>
	<b>Strainer:</b>		
		<b>ST-1</b>	<b>\$26.50</b>

# BAR SINKS

16 & 18 GAUGE

	<b>Code</b>	<b>Description</b>	<b>List Price</b>
	<b>ES1717</b>	<b>16 Gauge Zero Radius 17 x 17 Bar Sink</b>	<b>\$495.00</b>
	<b>Strainer:</b> <b>ST-1</b>		<b>\$26.50</b>
<i>This model will fit into a 21" cabinet or wider.</i>			
	<b>BR18</b>	<b>18" Round Bar Sink</b>	<b>\$192.00</b>
	<b>Strainer:</b> <b>ST-1</b>		<b>\$26.50</b>
<i>This model will fit into a 21" cabinet or wider.</i>			
	<b>B1512</b>	<b>15x12 Bar Sink 18 Gauge</b>	<b>\$124.00</b>
	<b>Strainer:</b> <b>ST-1</b>		<b>\$26.50</b>
<i>This model will fit into a 18" cabinet or wider.</i>			

BAR SINKS

*Sinks are fully undercoated with foam insulation over large sound-deadening pads for ultimate noise reduction and insulation.*

# MAINTENANCE AND WARRANTY

---

## LIMITED LIFETIME WARRANTY

- EMPIRE warrants the original purchaser of our stainless steel sinks a lifetime of normal residential use.
- EMPIRE will replace the sink if it fails due to manufacturing defect.
- EMPIRE will not be responsible for cost of transportation, labor or installation.
- EMPIRE reserves the right to examine the product, installed, prior to replacement.
- This warranty applies only to original installation location.
- This warranty does not cover damages caused by physical abuse or damage from excessive heat

## MAINTENANCE INSTRUCTIONS

Our stainless steel sinks are made of 304 stainless 18/8-chrome nickel content. Our Heavy-Duty 18 and 16 gauge stainless steel is nonporous, rust free, and will last a lifetime.

**General Care & Cleaning:** Rinse the sink with warm water and dry it with a soft cloth after each use to prevent water spots and mineral deposits.

**Things Not To Do!:** Do not use steel wool, heavy abrasive pads or powders to scrub the sink. Harsh agents, such as bleach, may ruin the finish.

**Surface Stain & Rust:** Stainless steel does not rust. If your sink develops surface stains and rust spots use Bar Keepers Friend or Flitz stainless steel cleaning products (available from your local hardware store and supermarket).

**Scratches:** Most scratches can be removed with Bar Keepers Friend and a Scotch Brite Pad. Always rub with the grain. Do not rub against the direction of the finish on the sink as it may damage the finish. If you have a deep scratch, use pumice rubbing compound and follow directions on package. EMPIRE strongly recommends the use of its grids to protect the bottom of your sink.

**PREMIUM QUALITY KITCHEN AND BATHROOM SINKS**

**VIST OUR WEBSITE AT  
[WWW.EMPIRE-INDUSTRIES.COM](http://WWW.EMPIRE-INDUSTRIES.COM)**



CUSTOMER SERVICE

TEL: 1-800-631-0223 · FAX: 1-800-367-4738

PATERSON, NEW JERSEY 07524 · [WWW.EMPIRE-INDUSTRIES.COM](http://WWW.EMPIRE-INDUSTRIES.COM)