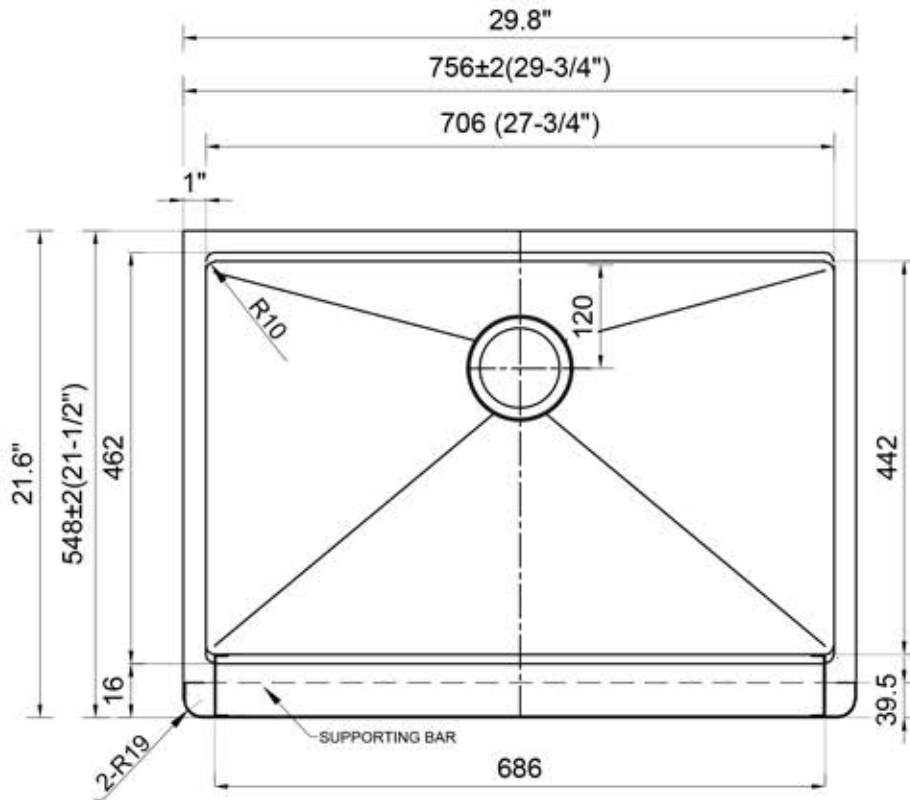
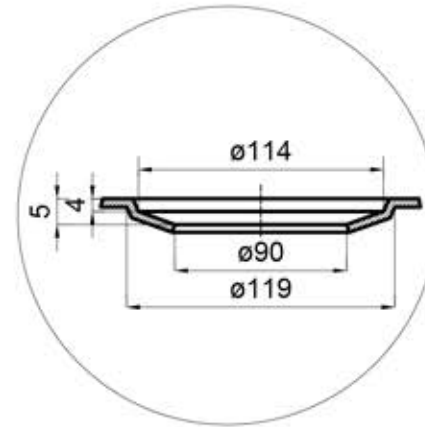




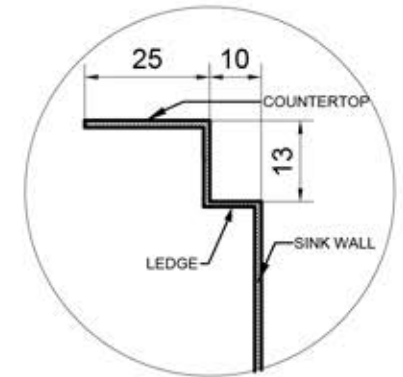
Top view



Detail 1 – Drain
(1:2.5)



Detail 2 – Inner ledge
(1:2.5)



Front view



Section

