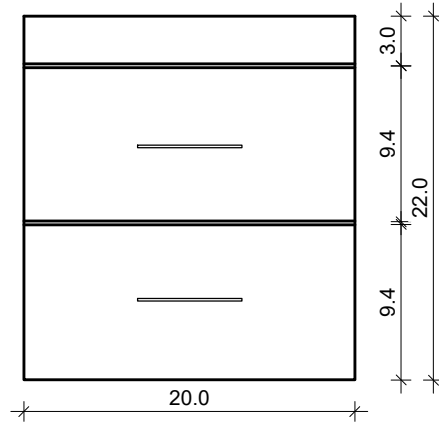
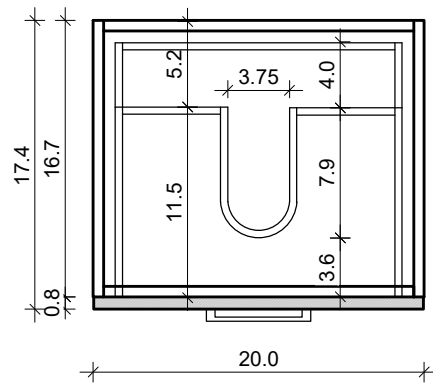


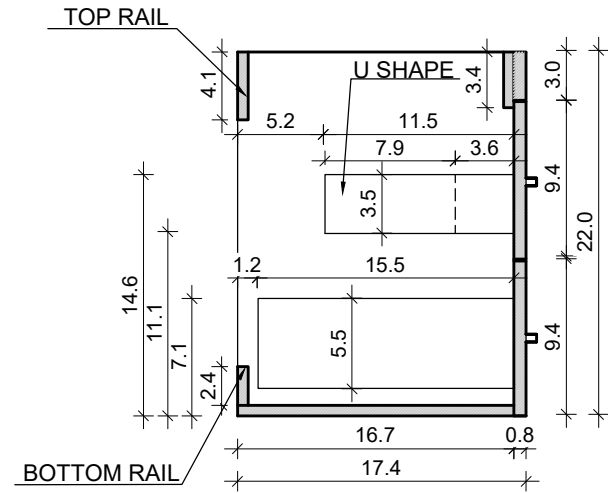
DAYTONA 3 FOR LAGUNA 21-02



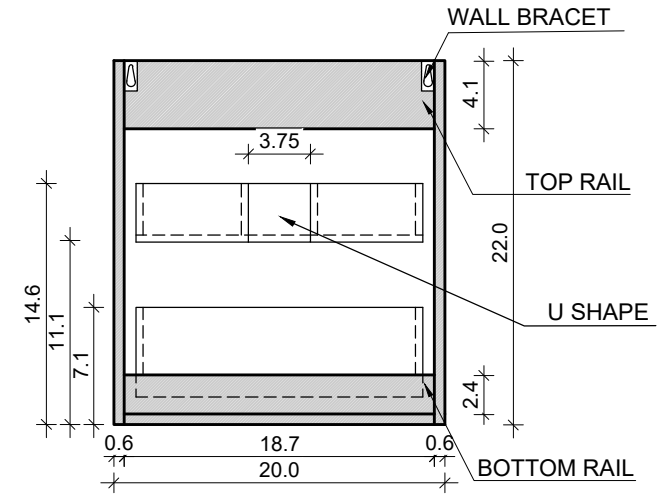
FRONT VIEW



TOP VIEW



SIDE VIEW



BACK VIEW