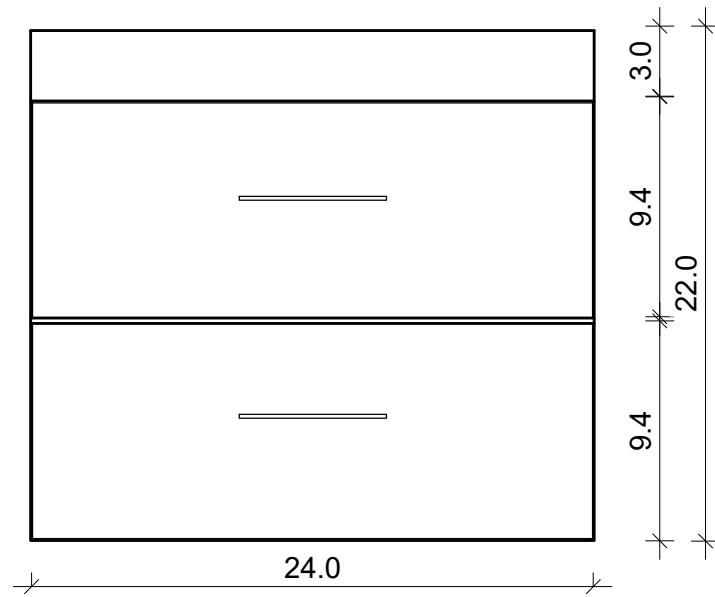
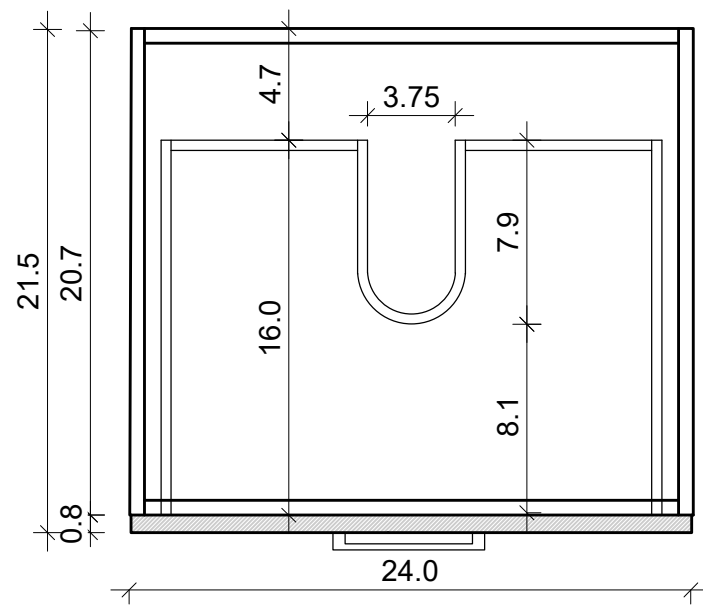


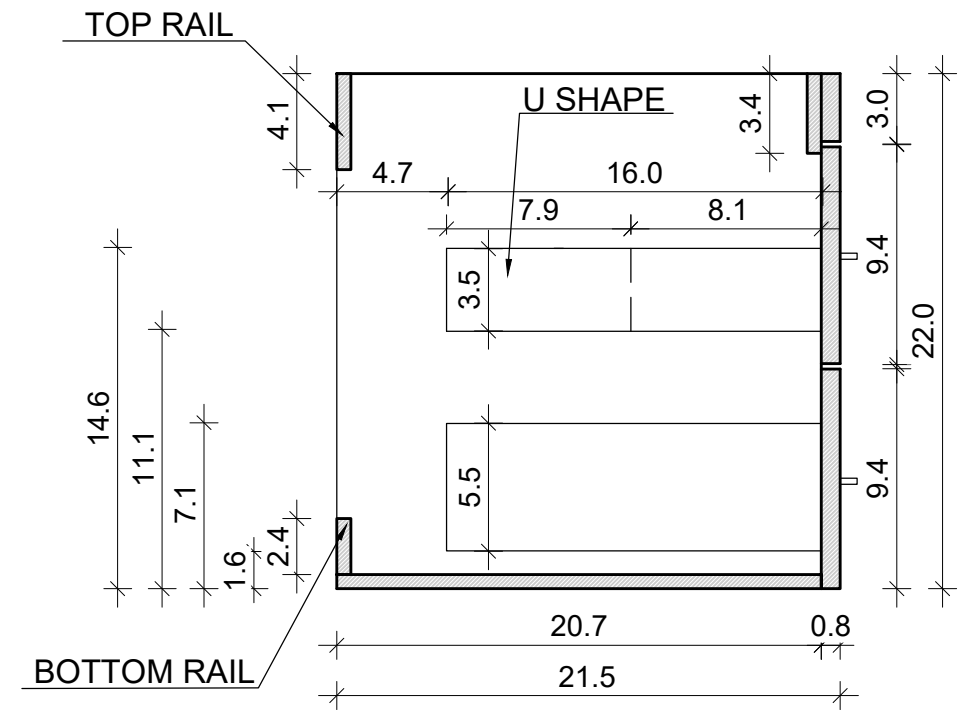
DAYTONA 3 FOR STONE 24-02



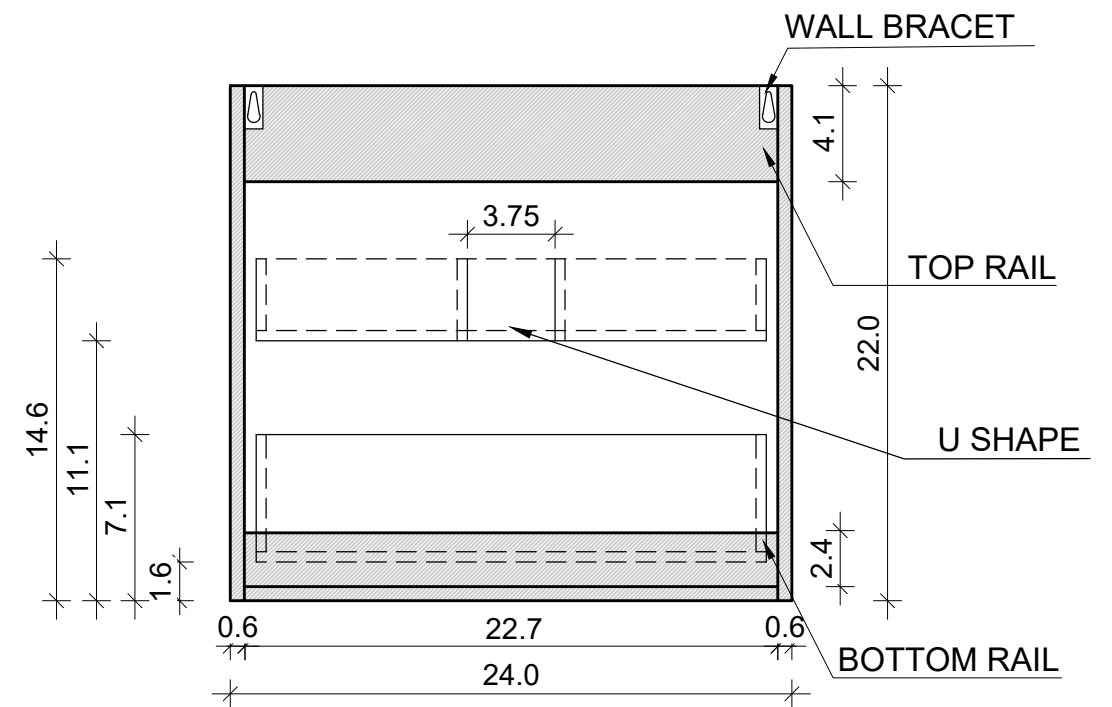
FRONT VIEW



TOP VIEW



SIDE VIEW



BACK VIEW