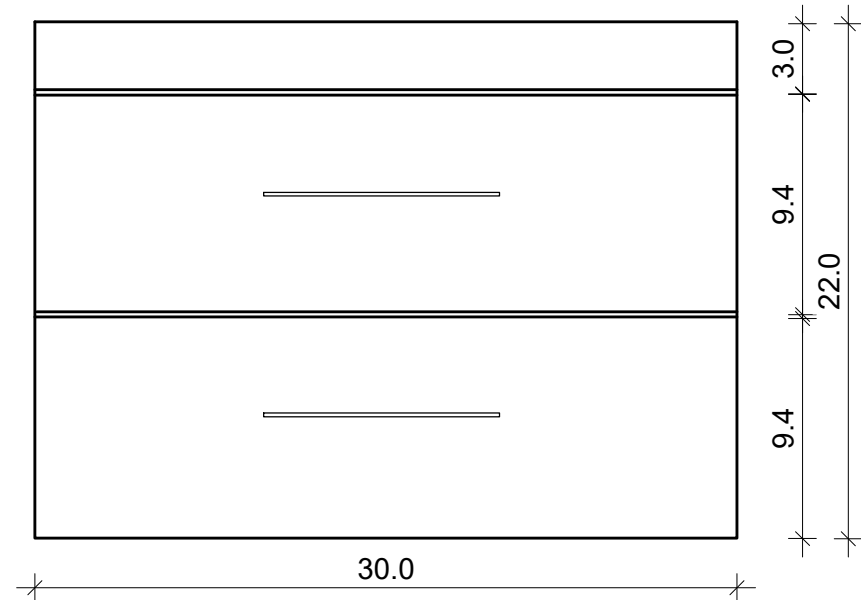
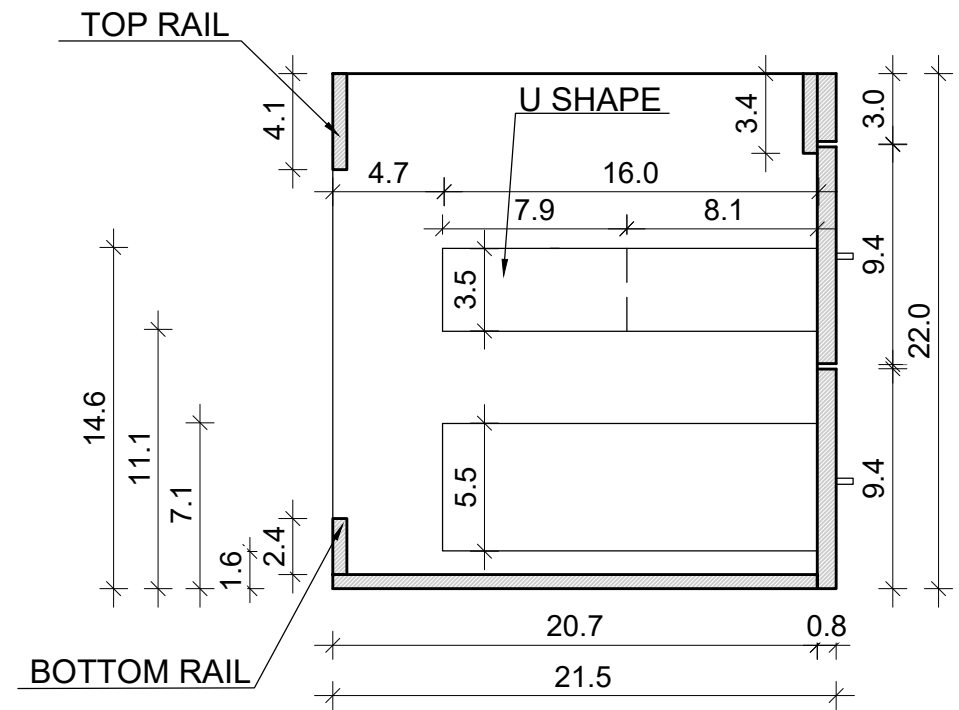


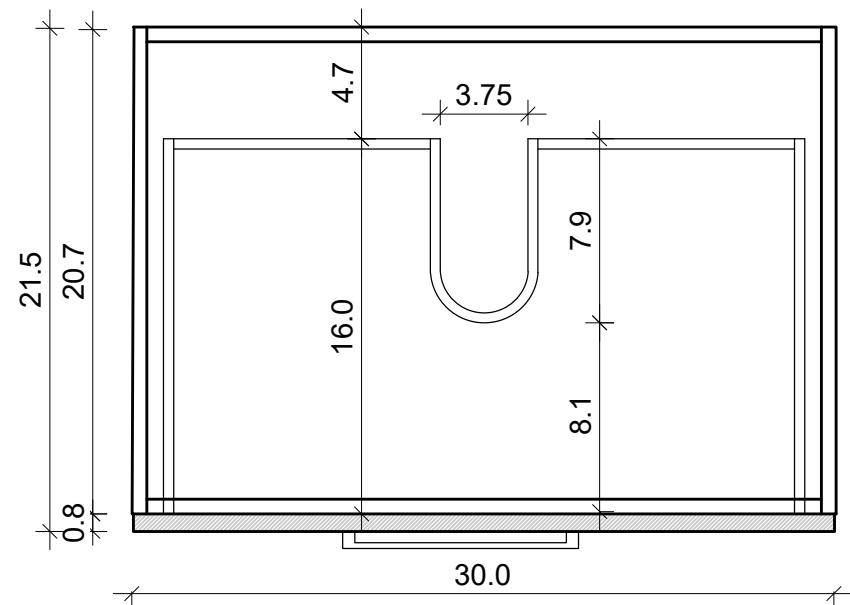
DAYTONA 3 FOR STONE 30-02



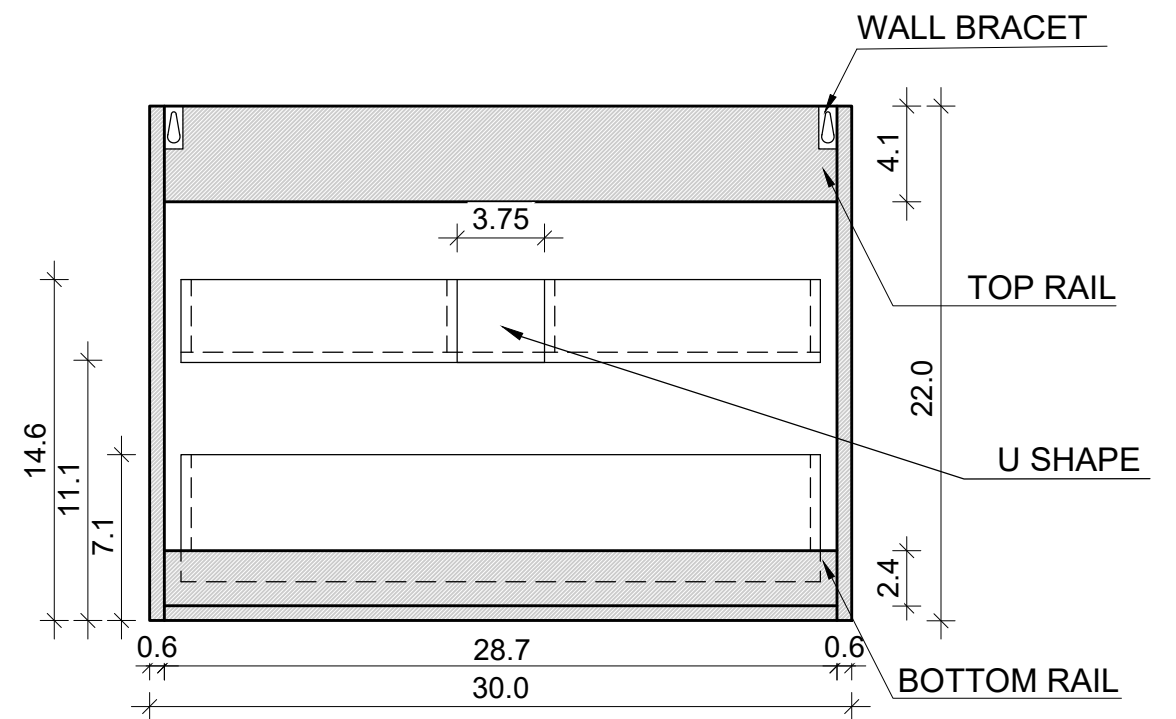
FRONT VIEW



SIDE VIEW



TOP VIEW



BACK VIEW