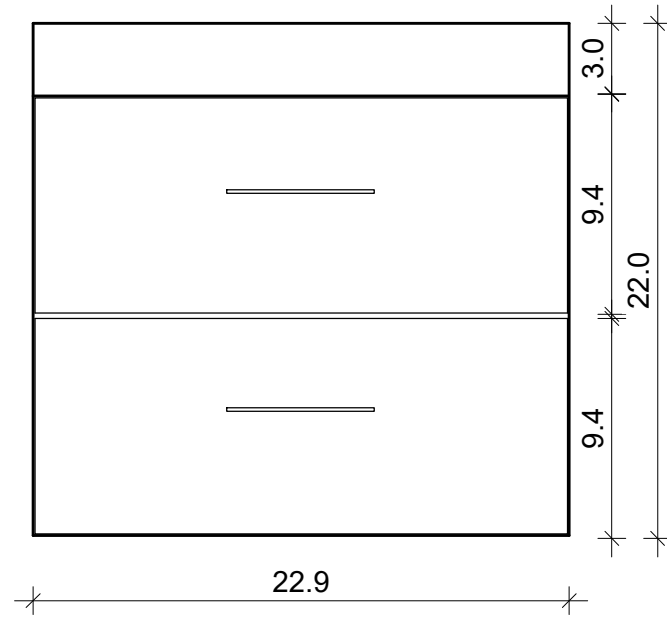
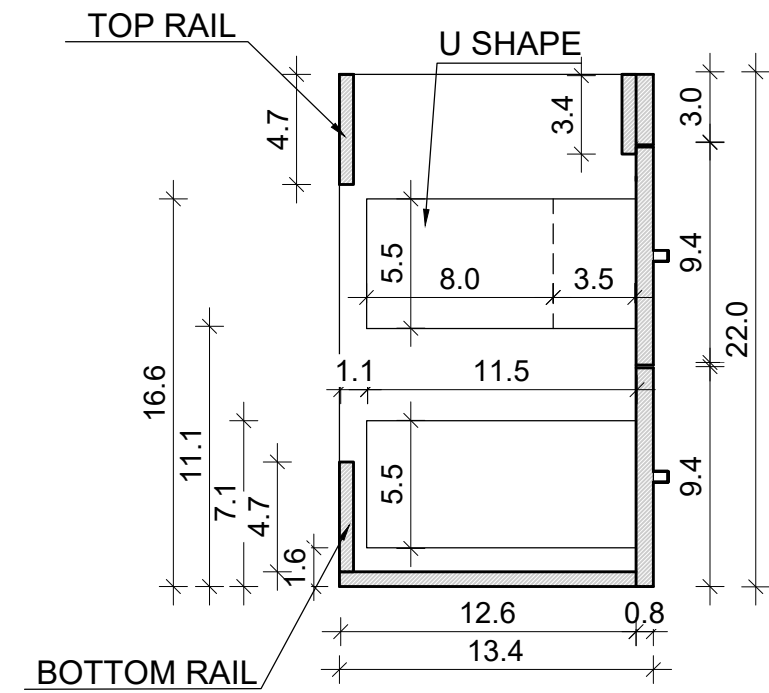


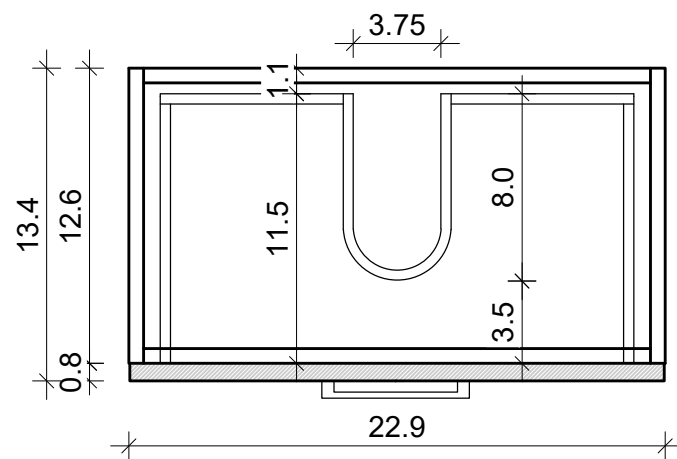
# DAYTONA 3 FOR SLIM LINE 24-02



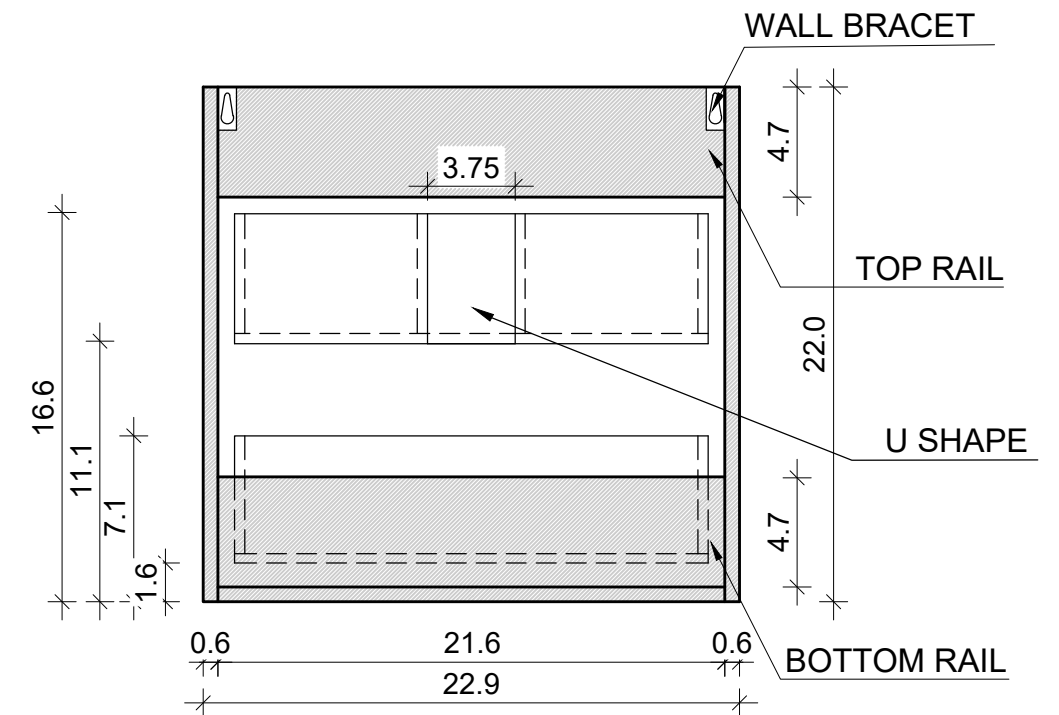
FRONT VIEW



SIDE VIEW



TOP VIEW



BACK VIEW