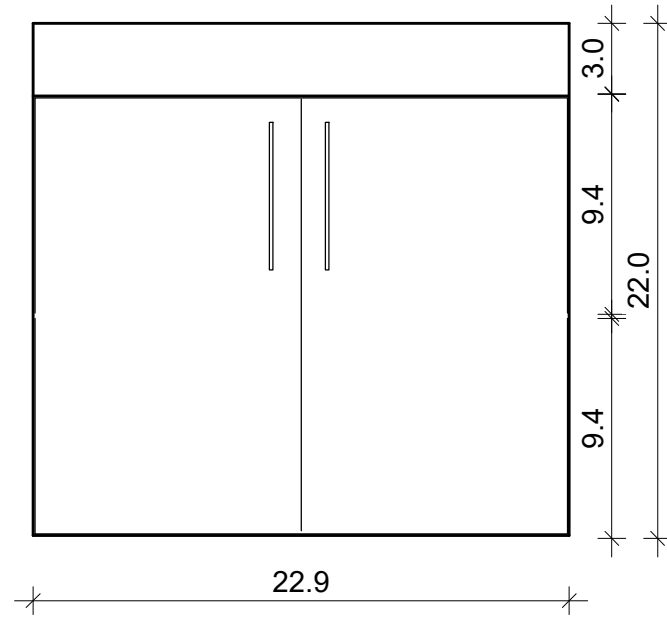
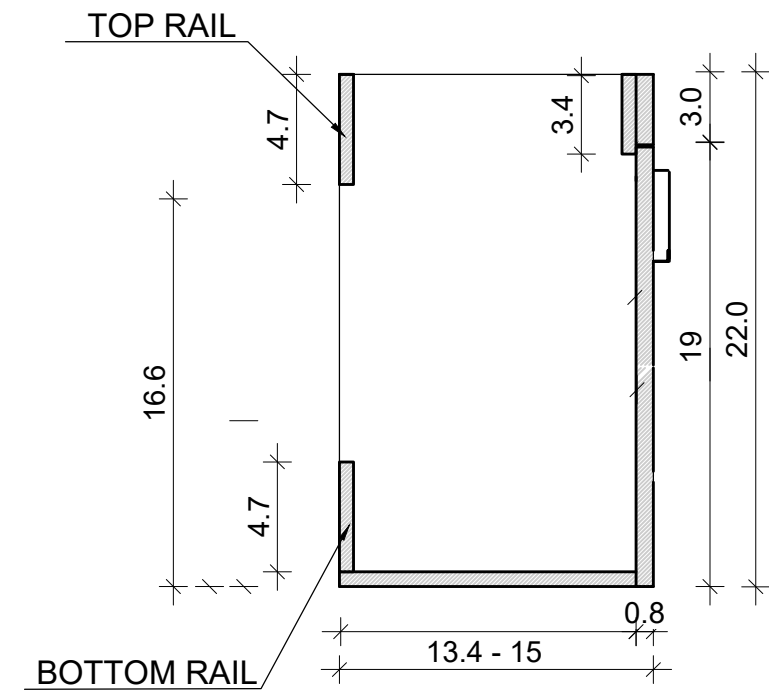


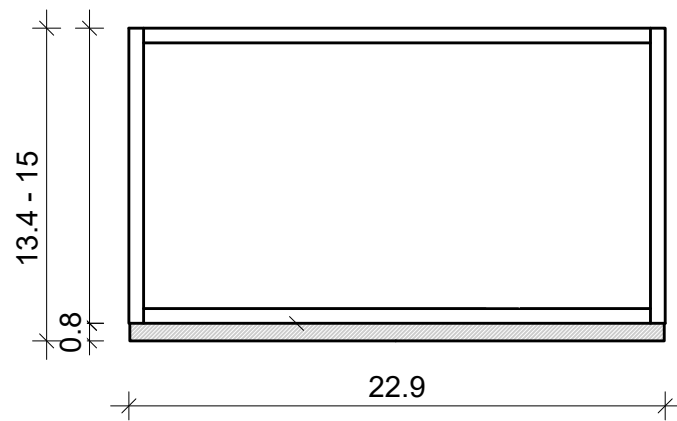
DAYTONA 3 FOR SLIM LINE 24-20



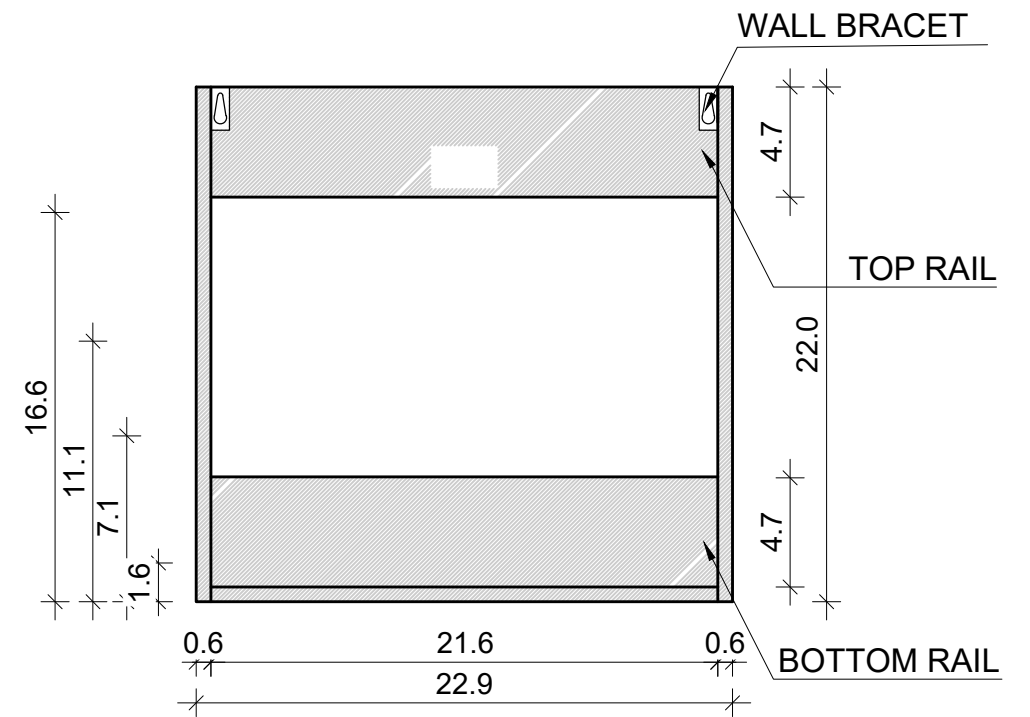
FRONT VIEW



SIDE VIEW



TOP VIEW



BACK VIEW