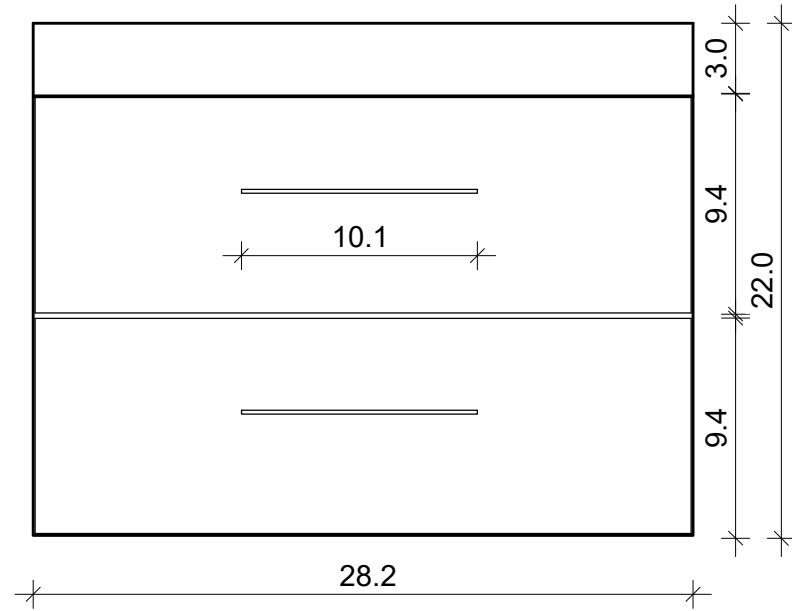
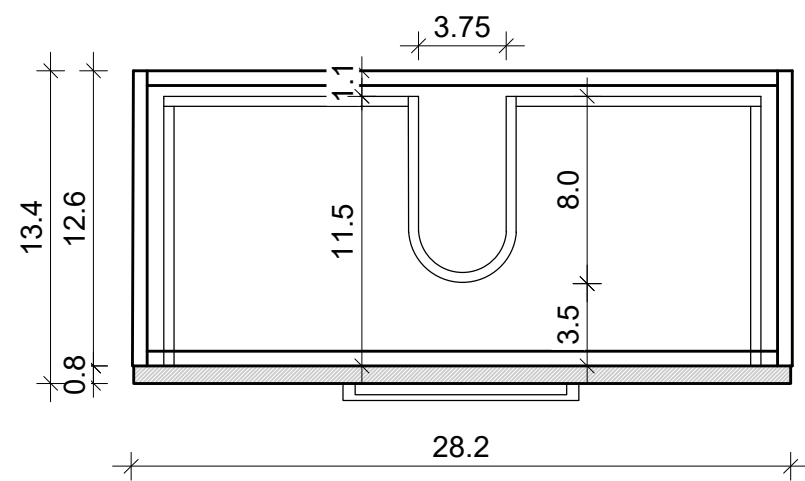


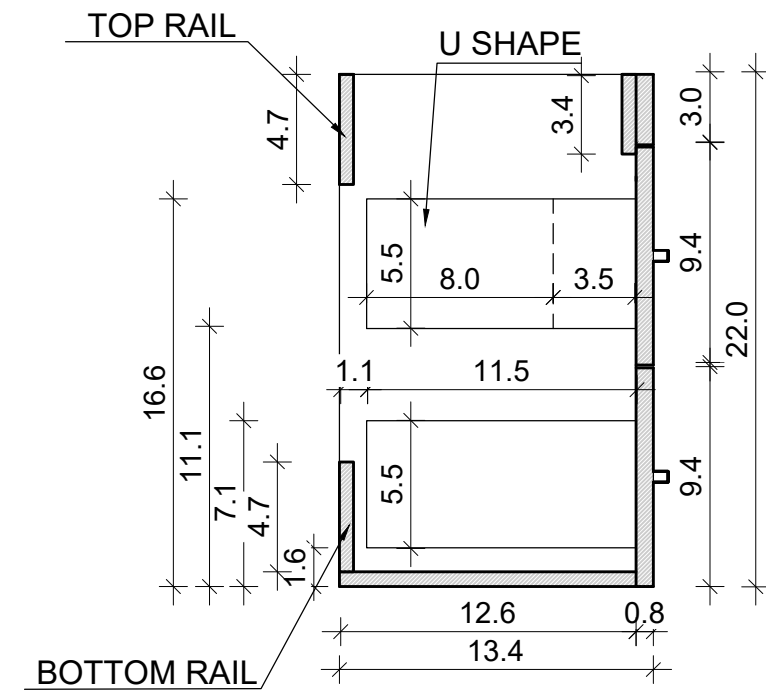
DAYTONA 3 FOR SLIM LINE 30-02



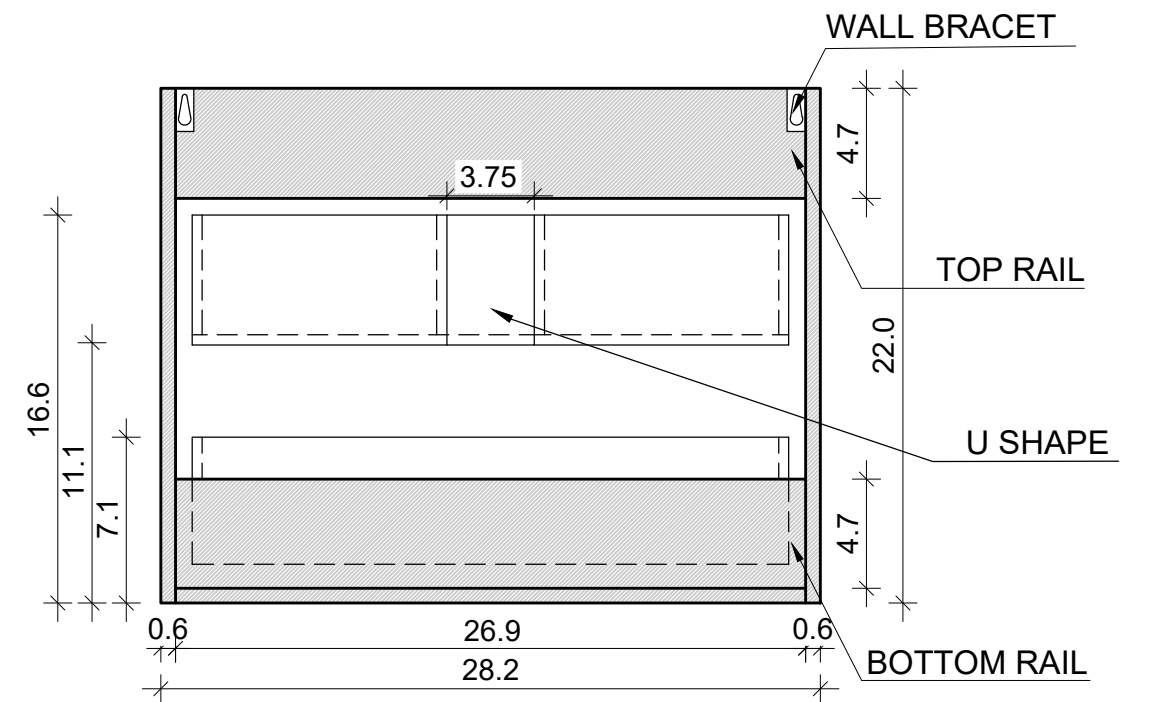
FRONT VIEW



TOP VIEW



SIDE VIEW



BACK VIEW